

Product Features

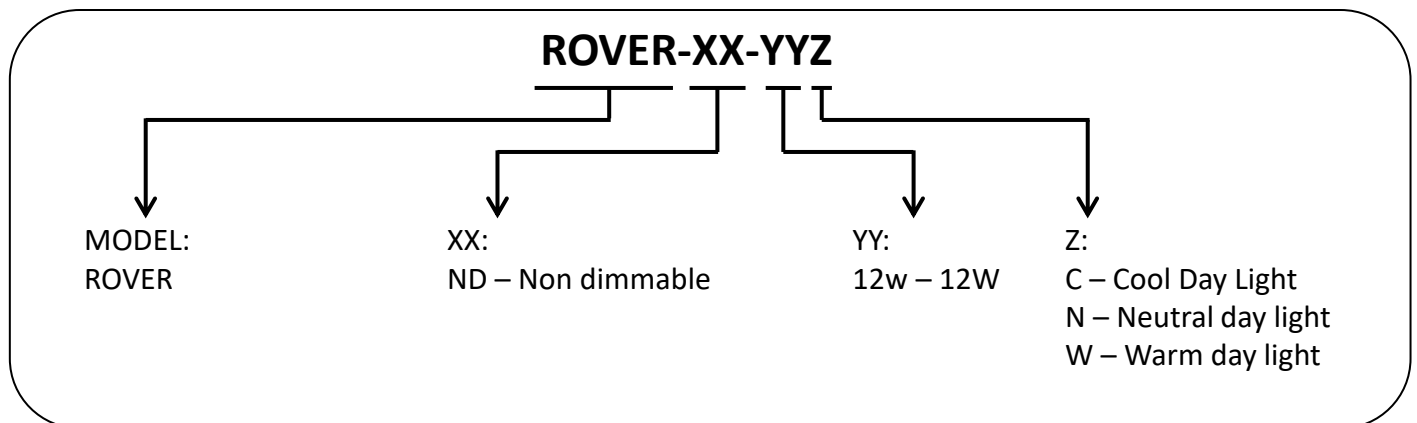


- Aluminum housing duly powder coated.
- Long life and better thermal management.
- High efficacy LED.
- Uniform and optimum light output and energy savings.
- Higher PF, Lower THD and Surge Protection.



| | | |
|---------------------------------|------------------------------------|-------------------------------|
| Electrical Specification | Rated Voltage (V) | 220-240Vac |
| | Operating Voltage Range (V) | 90-305Vac |
| | Operating Frequency (Hz) | 50 +/-3% |
| | Power Factor | > 0.95 |
| | A-THD | < 10 |
| | System Power Consumption (W)± 10% | 7/10/12/15/18W |
| | Inbuilt Surge Protection (kV) | 4KV |
| | Electrical Insulation Class | Suitable for Class II |
| Optical Specification | Light Source | LED |
| | Typ. Fixture Efficacy (LM/W) | 100 |
| | Color Temperature (K) | CDL / NDL / WDL |
| | CRI | 80 |
| | Diffuser / Optical material | Optical grade |
| | Beam Angle options | 40° |
| Other Specification | Operating Ambient Temperature (°C) | 0°C to + 45°C |
| | Housing | Powder coated Aluminum Hosing |
| | Mounting Arrangement | Surface mount |
| | IP rating | IP20 |

Model No.



All features, functionality and other product specifications are subject to change without notice or obligation.